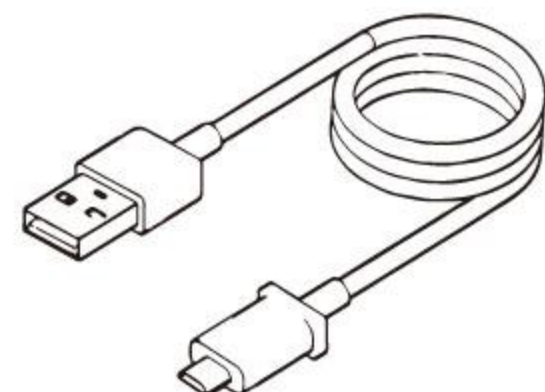
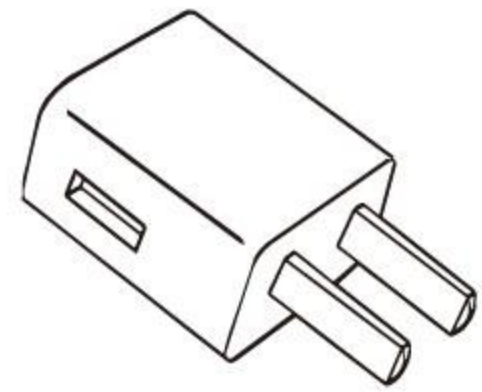
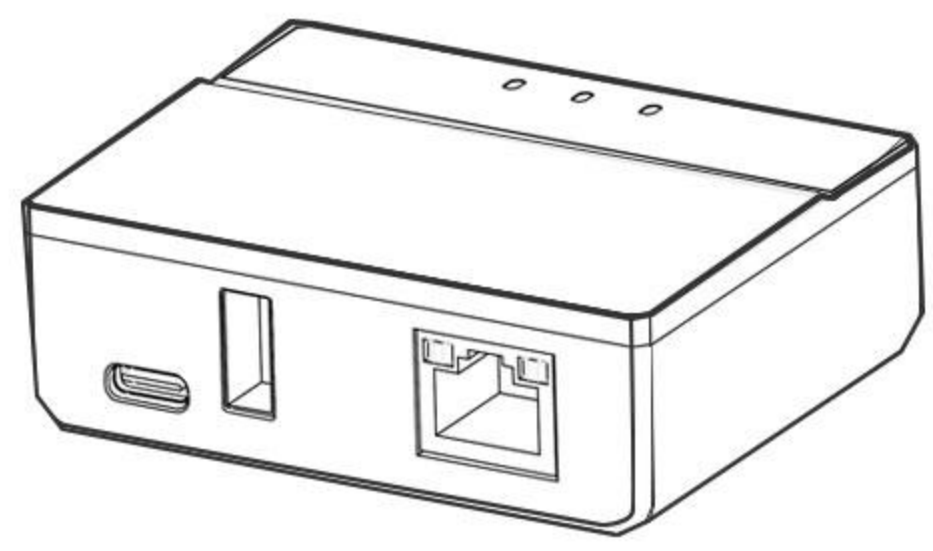


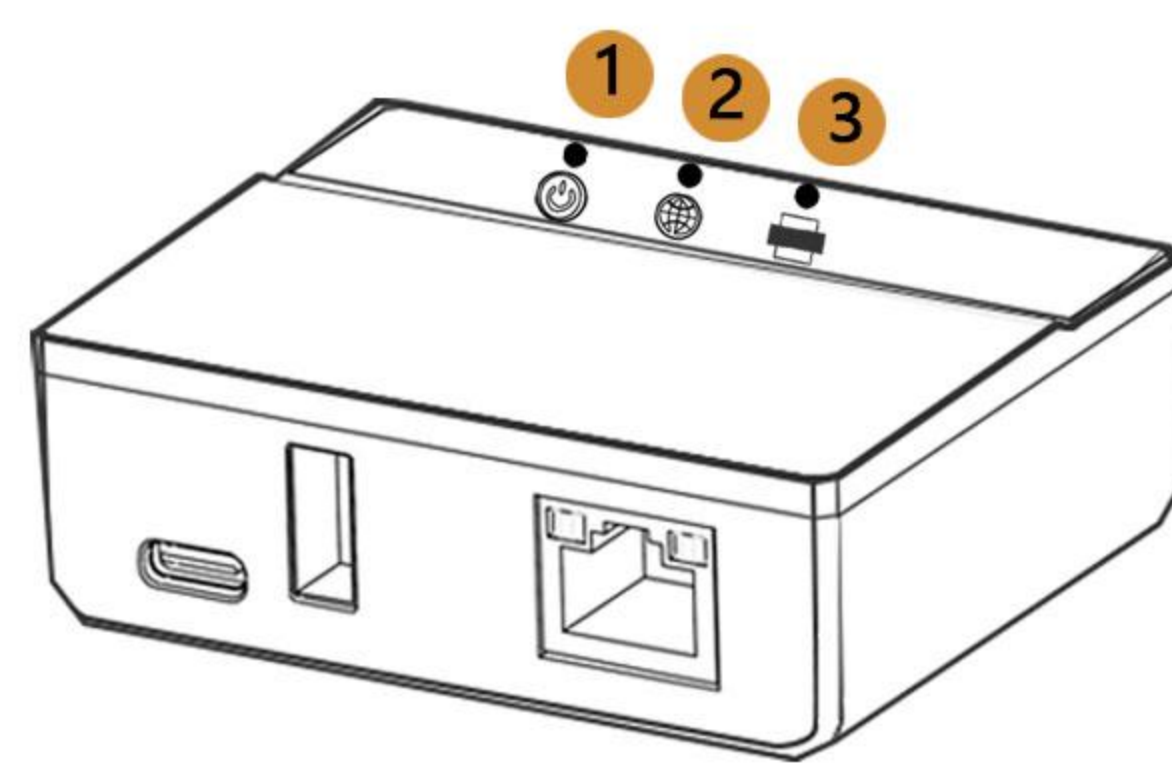
Quick User Guide

Standard accessories

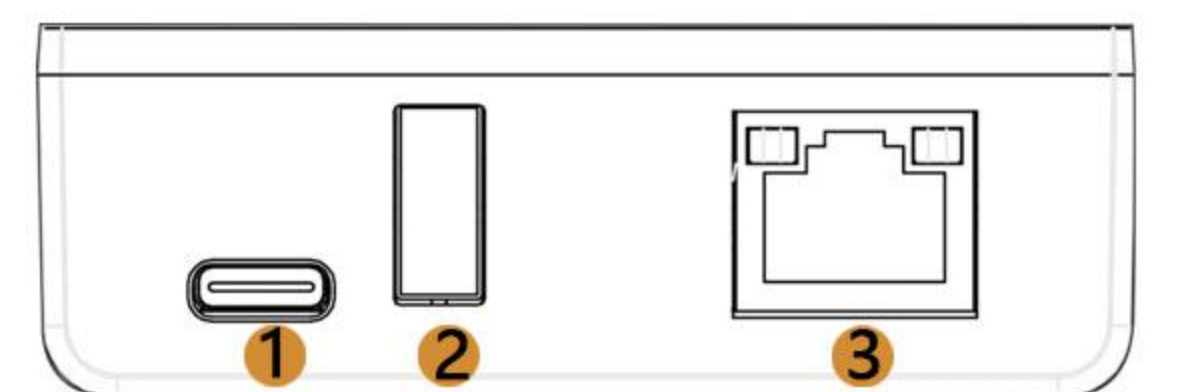


1 USB port print server 5V power adapter Type-C data cable

1 Status Indication & Interface Description



1. Power Status
2. Network Status
3. Printer Status



1. Power Port
2. USB Port For Printer
3. RJ45 Ethernet Port

2 Install Smartphone APP "Print Assistant"



Scan the QR code & Download the APP "Print Assistant"
Download the APP from Google Play or official web:
<https://loyalty-secutech.com/wb07a/>

3 Config Network for Print Server in Smartphone

1. Power On the Print Server: Use LOYALTY-SECU power adapter to turn on the print server.
2. Enable Bluetooth: Turn on Bluetooth on your smartphone, then open the APP "Print Assistant" .
3. Connect to the Device: In the app, select the device (e.g., WB123456789) and tap "Connect."
4. Config WiFi: Choose your WiFi network (2.4GHz), enter the password, and the device will automatically obtain an IP address.
5. Connection Confirmation: Once connected, the app will show "Connected" and display the assigned IP address for print server.

4 Printing from Windows via LAN (Wired or 2.4GHz WiFi) in Computer

Note: After completing the Network configuration between the print server and the APP "Print Assistant" , you need to add a printer to the computer for printing.

Step 1: Obtain the valid IP address for the print server via APP "Print Assistant"

Step 2: Choose the target USB printer driver-->Printer Properties-->Port-->Create a new port--> Standard TCP/IP Port

Step 3: Add the print server' s IP address for the Standard TCP/IP Port of the USB Printer Driver.Port Number: 9100

Step 4: Completing the Add Standard TCP/IP Printer Wizard --> Print a test page

Step 5: Explore the excellent printing experience via the Print Server.



Windows 2000/2003/XP/Vista/7/8/10/11

5 Printing from MAC via LAN (Wired or 2.4GHz WiFi) in Computer

Note: If the printer driver isn' t listed, visit the printer manufacturer' s website to download the macOS driver.

Step 1: Click on "System Preferences" in the Apple menu.

Step 2: Click on "Printers & Scanners."

Step3: Click the "+" button, enter the IP Address of the print server.

Step 4: Select HP Jetdirect-Socket Protocol, go to "Use" --> Select Software-->Choose your target USB printer driver.



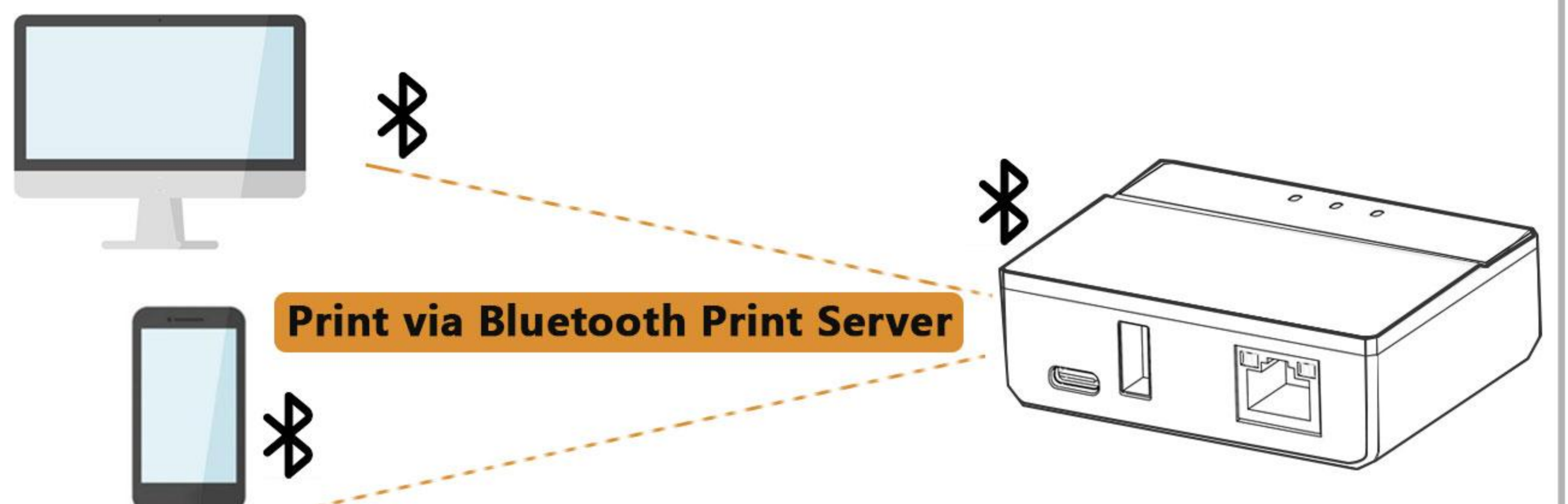
MAC Operating System

6 Install App for Smartphone Printing (Android)



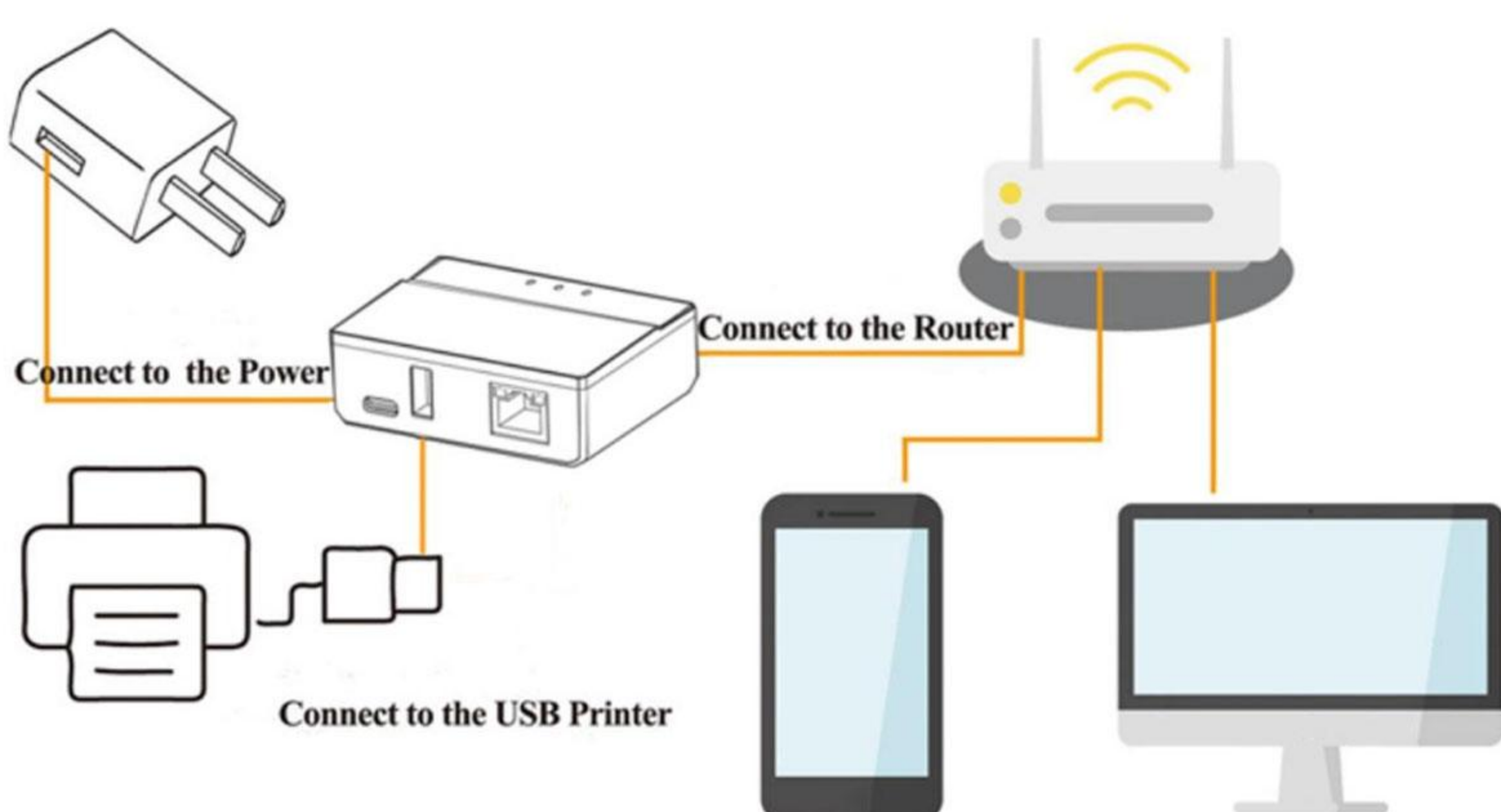
Download the prepaid & third party "PrinterShare" or "PrintHand" app from Google Play.

7 Bluetooth Printing on Windows & Android



1. Connect the printer to the USB port of the print server.
2. Turn on Bluetooth on your computer/Smartphone and pair it with the Bluetooth print server (the Device Name will be the Device Code, e.g., WB123456789; no PIN code is required).
3. Obtain the Bluetooth networking COM number of the print server and assign it to the USB printer.

8 Workflow



9 Video Guide & User Manual



Video Guide QR Code



User Manual QR Code

1. Video Guide download Link: <https://loyalty-secutech.com/wb07-ncv/>
2. User manual download Link: <https://loyalty-secutech.com/wb07-ncg/>

Making Print Sharing Easy and Free!